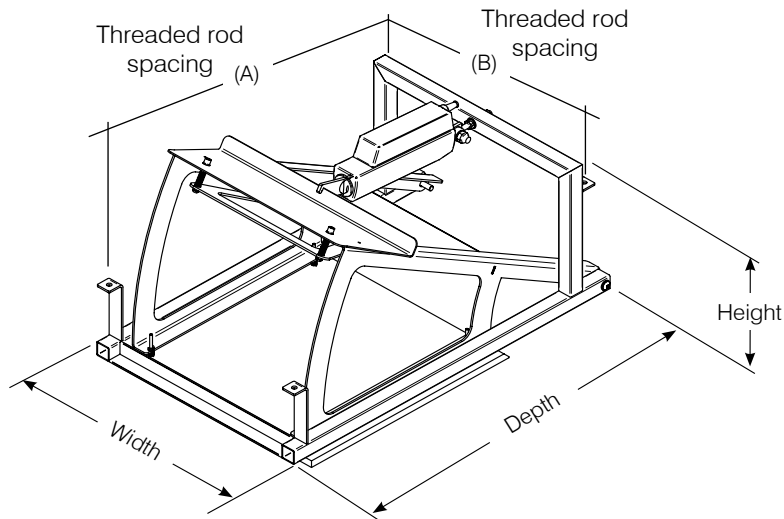


Specifications for LP Morgan Dipper



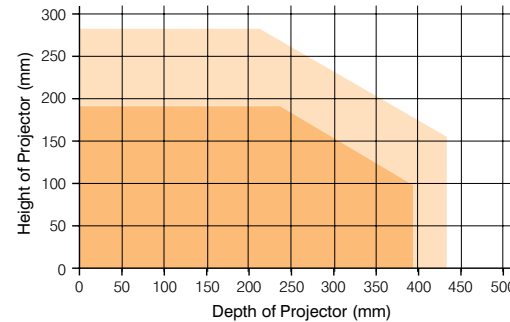
* Mounting hole dimensions 6mm dia

Features:

- Dipper is capable of lifting projectors up to 12kg
- Precision Linear 24VDC Linear Actuator, power supply included
- Close Contact (Dry Contact) Control, Plug'n'Play (just wire the switch)
- 12V Trigger, IR Remote, RF Remote and RS232 Upgrades available
- Undercoated 12mm MDF Ceiling Panel - to be painted to suit room decor
- Aluminium Ceiling Trim included - gloss white powdercoat
- Tilt, Yaw andn adjustments available - Projector sits flush with ceiling, (around 10° downwards tilt should be achievable, projector dependant)
- Skyhook "Universal" Projector Mounting Plate - suits most projectors

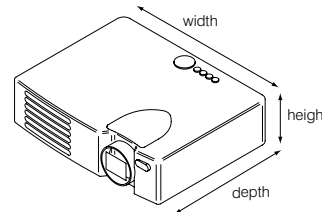
Projector measurement chart

Find the point on the grid below where the projector depth and projector height intersect. If intersection point falls within shaded areas then it is compatible with that size Dipper. In addition, ensure projector is within width guidelines listed in the chart below.

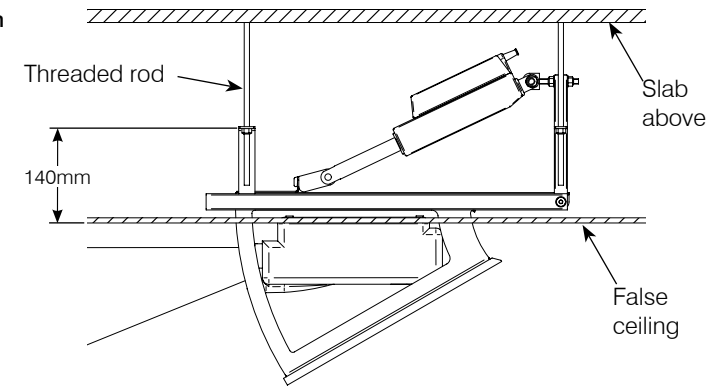


■ A Projector will fit into the Medium Dipper if its dimensions are within the medium orange area
Maximum Projector width = 330mm

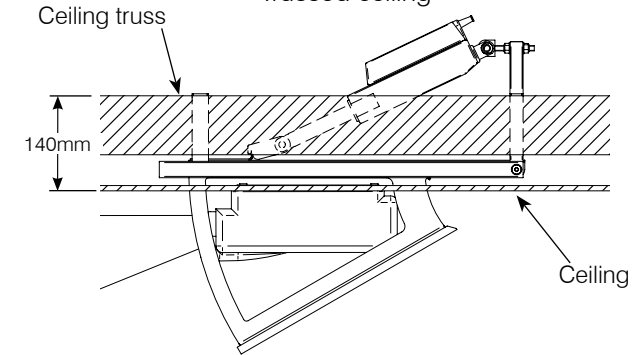
■ A Projector will fit into the Large Dipper if its dimensions are within the lightest orange area
Maximum Projector width = 430mm



Installation suggestion only: Suspended ceiling



Installation suggestion only: Trussed ceiling



Size	Product Code	Dipper Overall Size (D x W x H)	Shipping Size (D x W x H)	Dipper Weight (kg)	Ceiling Panel Size (D x W)	Ceiling Cutout with Ceiling Trim (D x W)	Threaded Rod Spacing	
							(A)	(B)
Medium	HER20DIPMM	640 x 405 x 355	680 x 445 x 395	8	400 x 400	410 x 410	590	370
Large	HER20DIPML	825 x 505 x 430	875 x 555 x 480	12	500 x 500	510 x 510	780	480